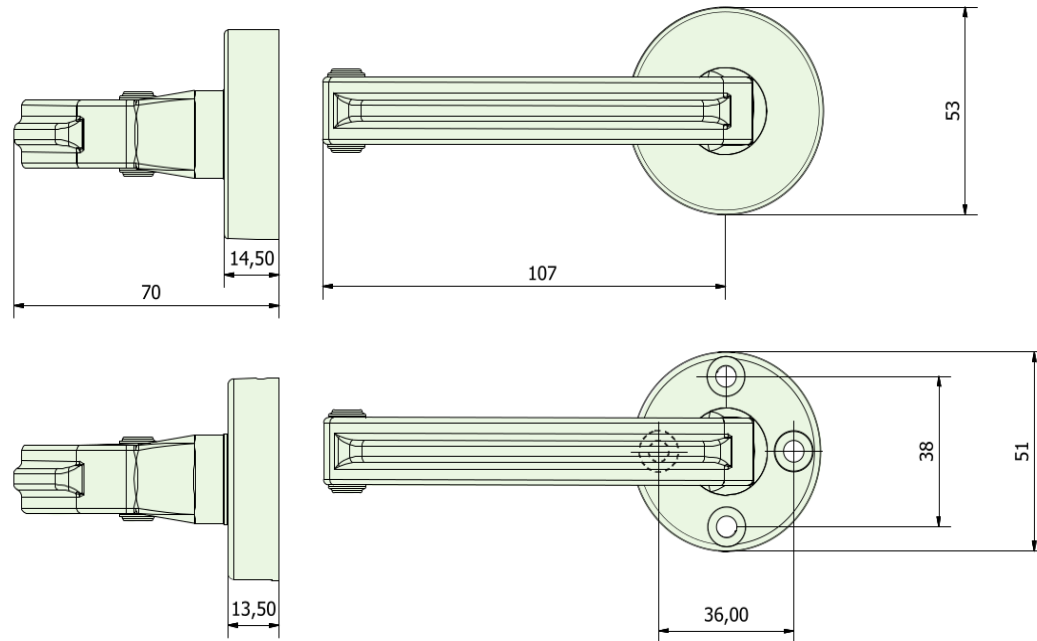


PRODUCT FEATURES & TECHNICAL INFORMATION

- An elegant 'Lever-Lever' door handle with finish matching backplate covers that conceal the fixing screws and backplate.
- 4 independent springs ensures correct horizontal position of lever and a 8mm spindle secured with a grub screw clamps both handles together securely.
- B851ROSE Euro Cylinder or B852ROSE Key escutcheons available enabling a wide range of applications to include multipoint, traditional external locks & internal latches.
- Also available on a Oblong plate as B1040.
- Available in several finishes or matching RAL finish on request. M5 fixing holes.
- Taylors Spindle available to fix the handle in a horizontal or vertical position.
- Complimentary window furniture available for suited look.

B1040ROSE Lever Door Handle



Dimensions